

FIG. 1

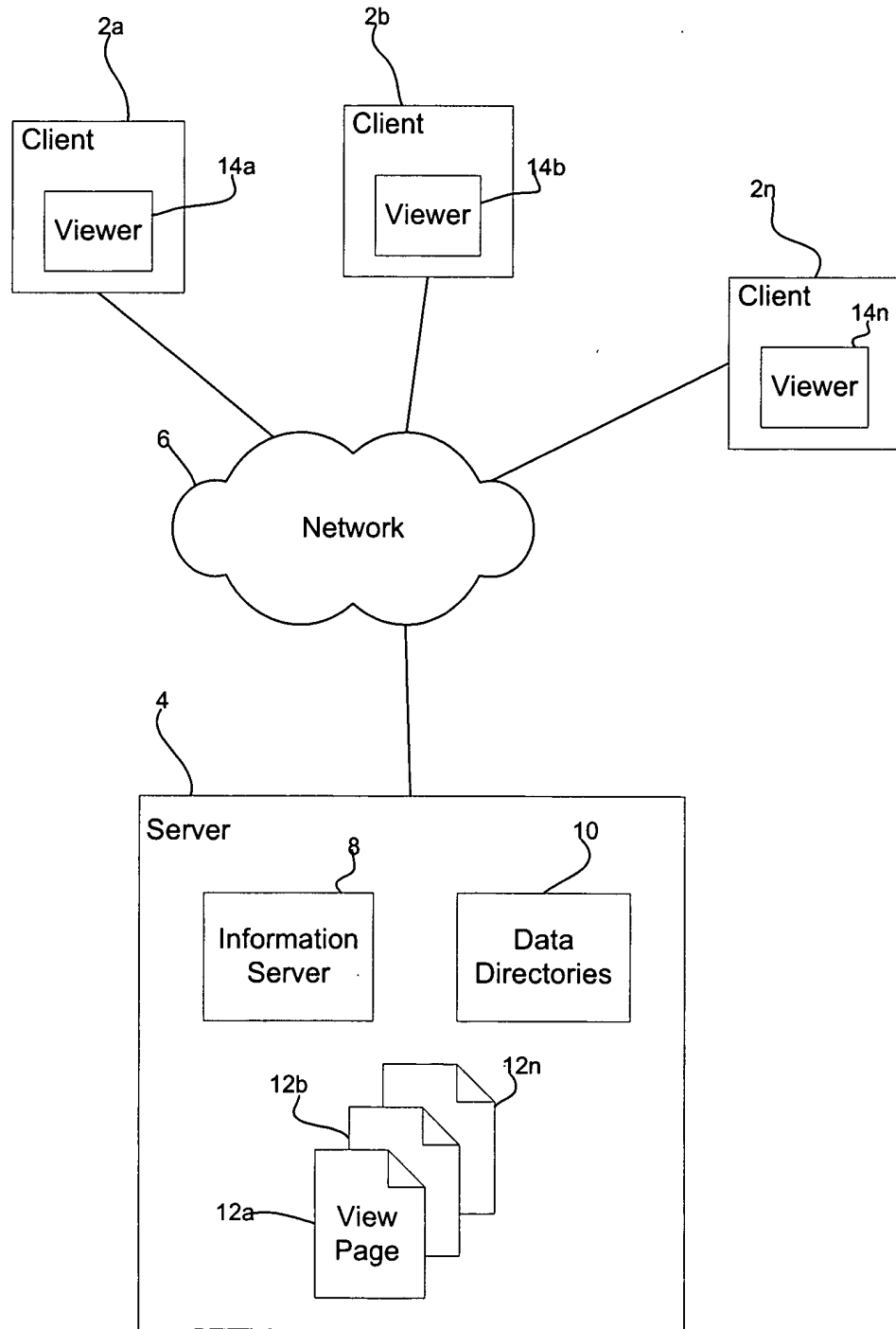
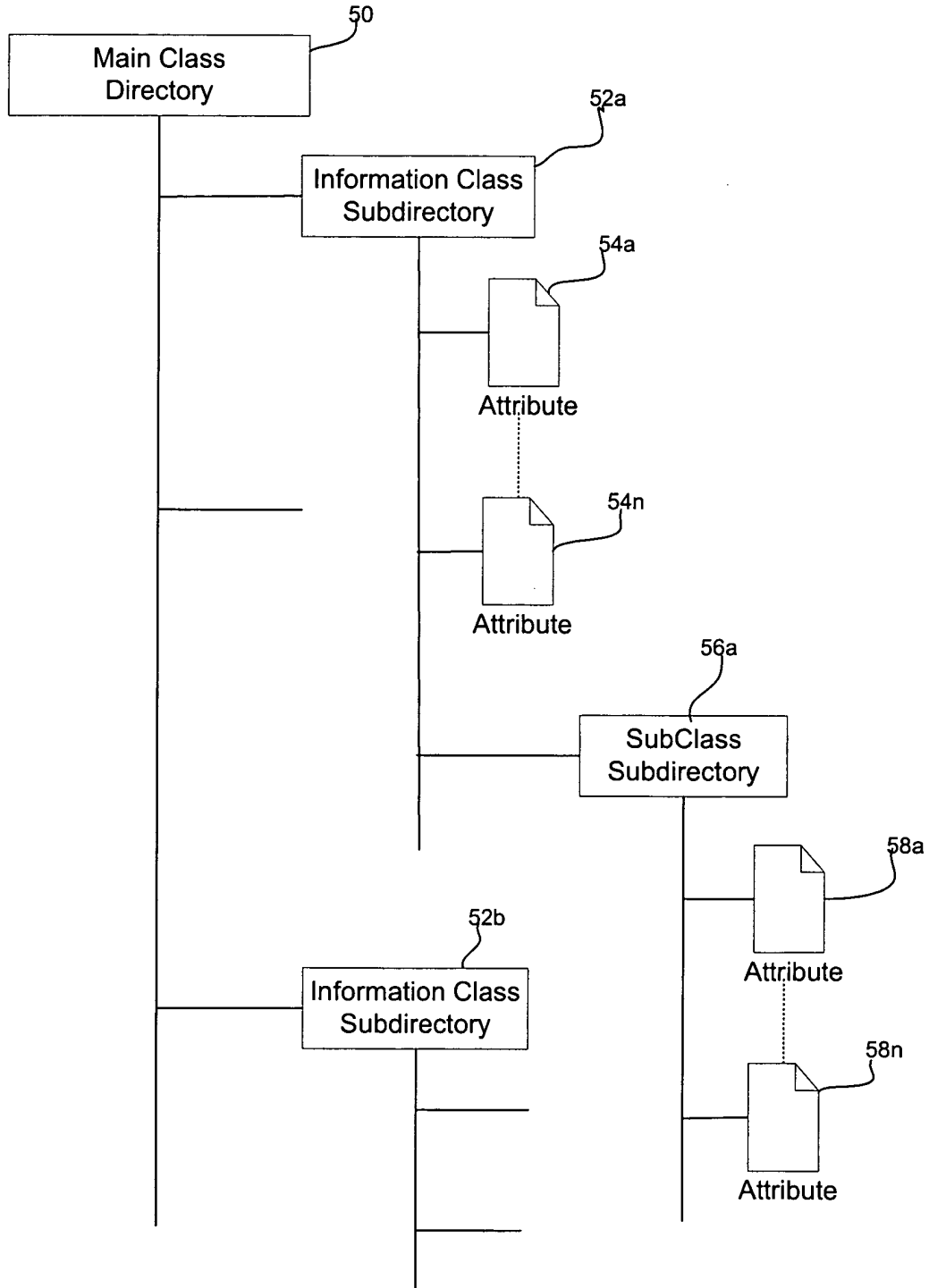


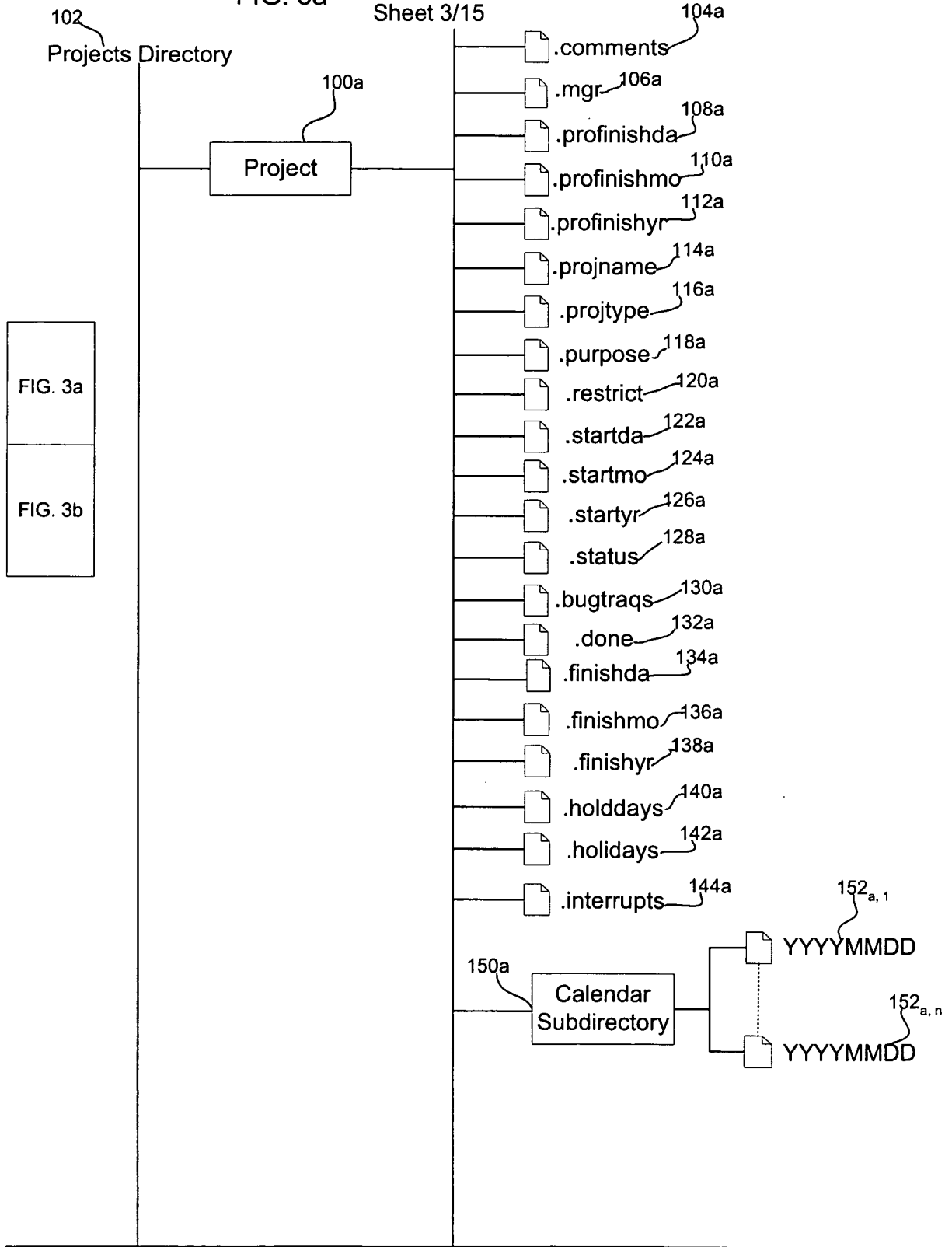
FIG. 1

FIG. 2



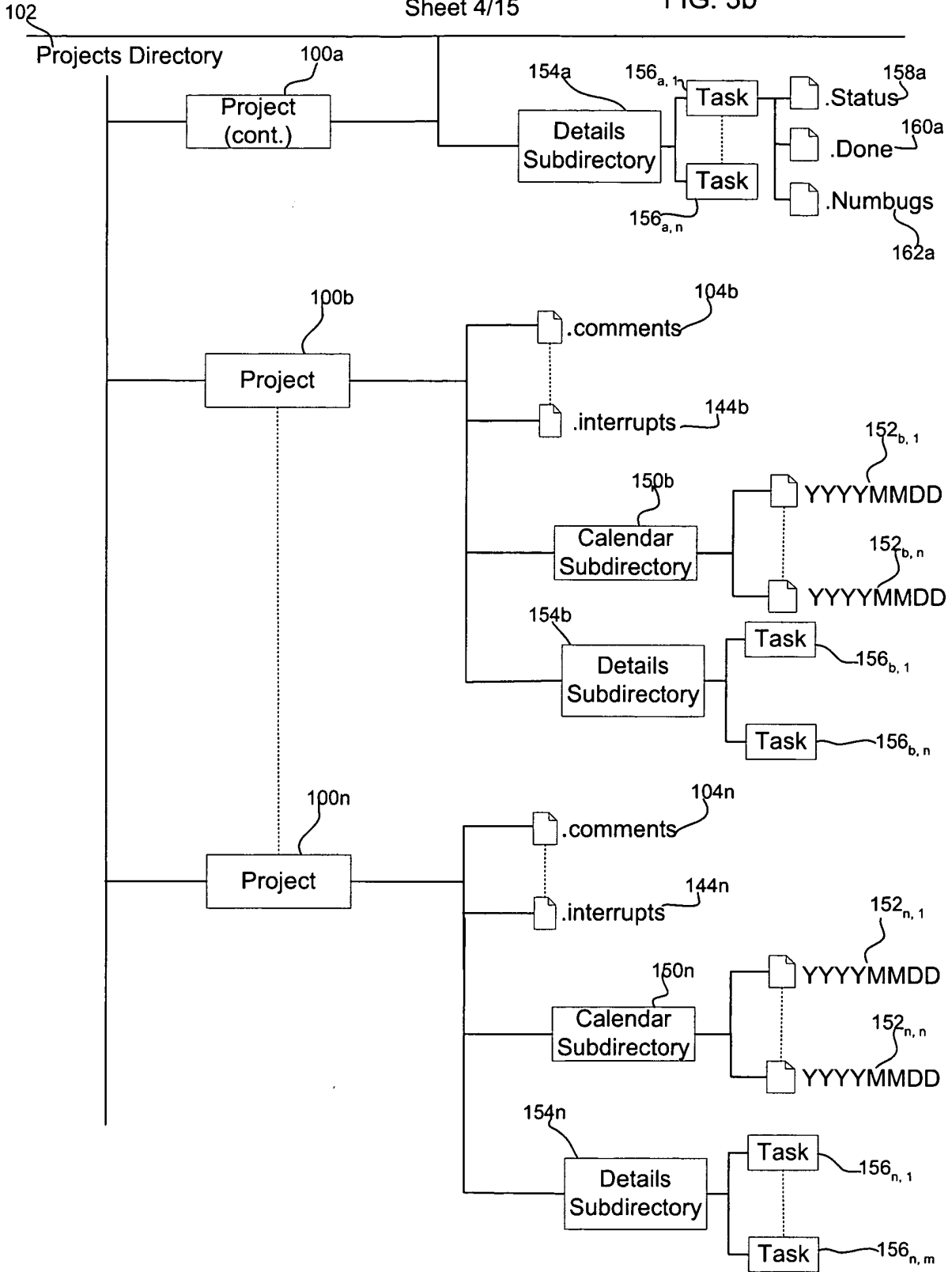
FOR SECT 636460

FIG. 3a



PROJECTS DIRECTORY

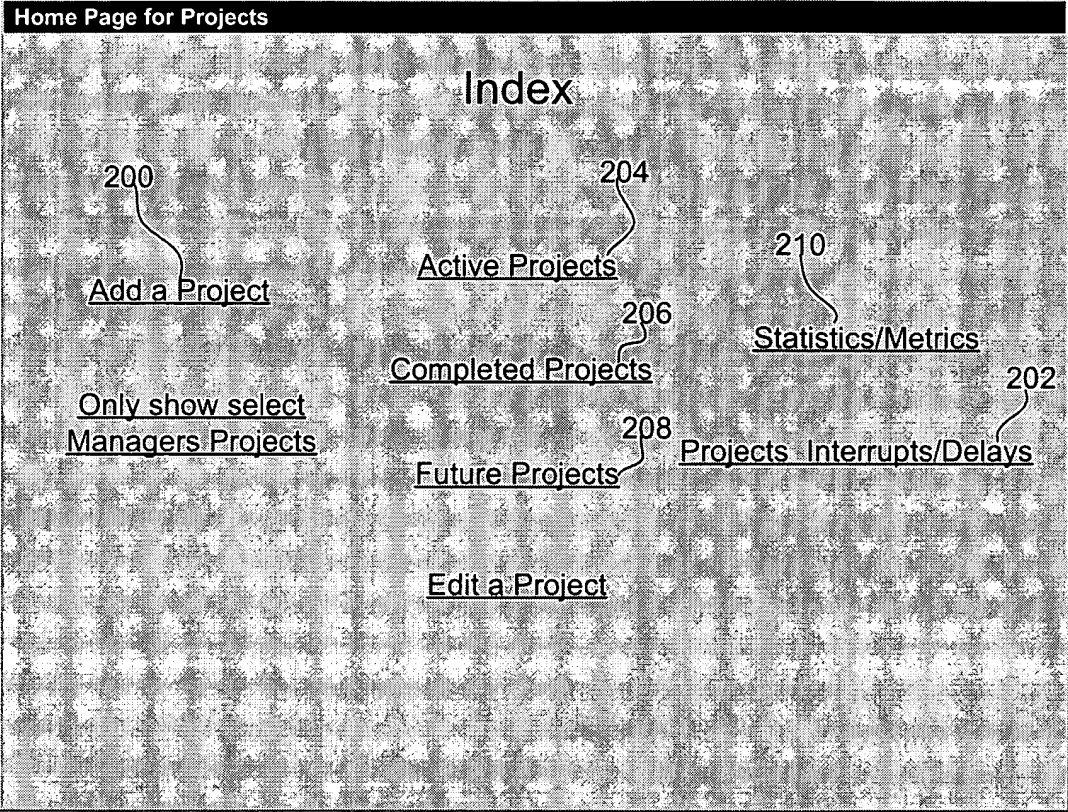
FIG. 3b



FOR RELEASE

FIG. 4

12a



FOOT 6884660

FIG. 5

The screenshot shows a software window titled "Adding a Project" with a standard Windows-style title bar (Close, Maximize, Help icons). The window contains the following elements:

- Project Name:** A text input field labeled 250.
- Project Type:** A text input field labeled 252.
- Purpose:** A text input field labeled 254.
- Manager:** A text input field labeled 256.
- Date Section:** A section containing three dropdown menus for "Day" (258), "Month" (260), and "Year" (262) for "Project Start".
- Project Completion:** A section containing three dropdown menus for "Day" (264), "Month" (266), and "Year" (268).
- Status:** A dropdown menu (270) with a legend box listing:
  - Green - On schedule, no problems
  - Yellow - Behind schedule, but recoverable, moderate bugs
  - Red - Too far behind to recover, high impact bugs
  - Suspended - Project not Active
  - White - Project has not started
  - Complete - Project complete
- Comments:** A large text area labeled 272.
- Restrict Viewing:** A checkbox labeled 274 with the text "Yes" next to it.
- SUBMIT CHANGES:** A button labeled 278.

FIG. 5

FIG. 6

12d

The screenshot shows a web browser window with the title bar 'Summary of Interruptions'. The main content area contains a table with the following data:

Project	Type of Delay	Date	Duration days	Comments
Project 1	Interruption	04/08/1991	2	Power outage in lab
Project 1	Holiday	07/04/2001	4	July 4 <sup>th</sup>
Project 3	Setup	08/03/2001	3	Time to setup equipment in lab

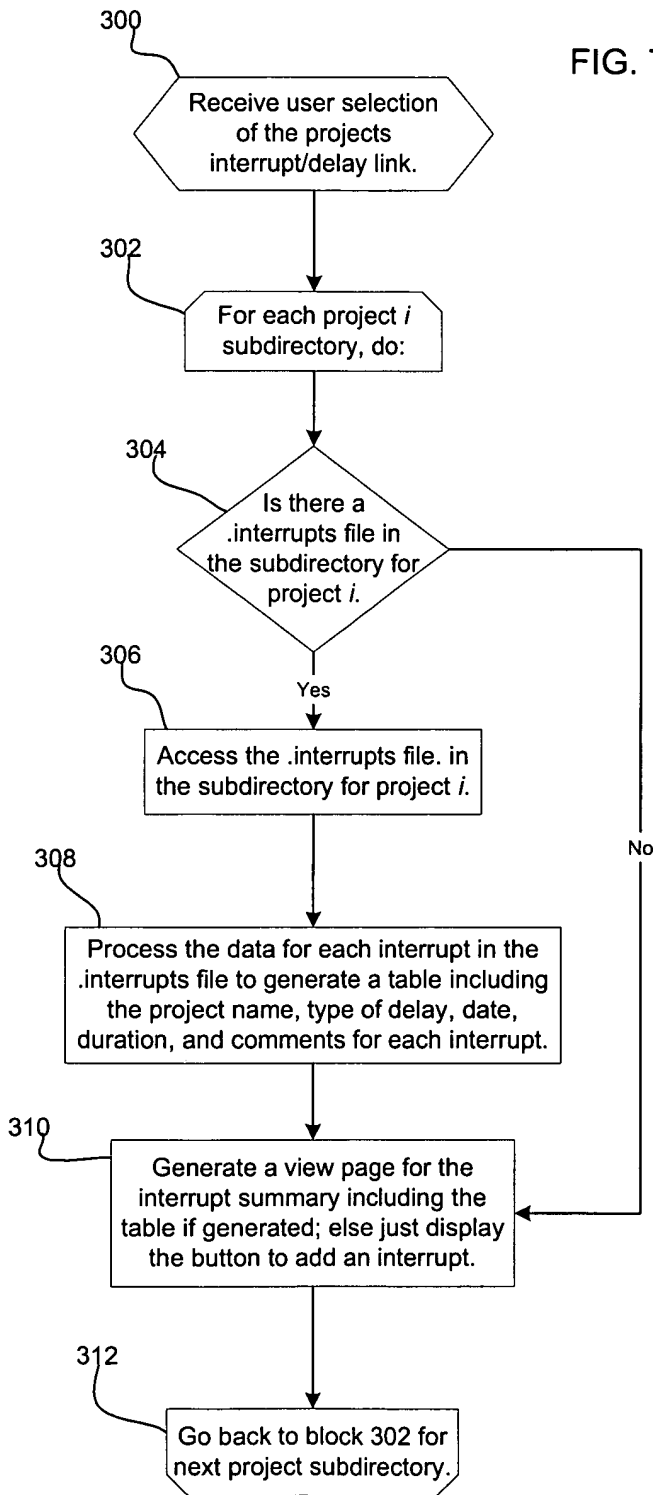
Below the table, there are two buttons: 'Home Page' on the left and 'Add New Interrupt' on the right. The browser window also shows standard window controls (close, maximize, help) in the top right corner.

332

334

FOOT " 6882660

FIG. 7



TOP SECRET





FIG. 8b

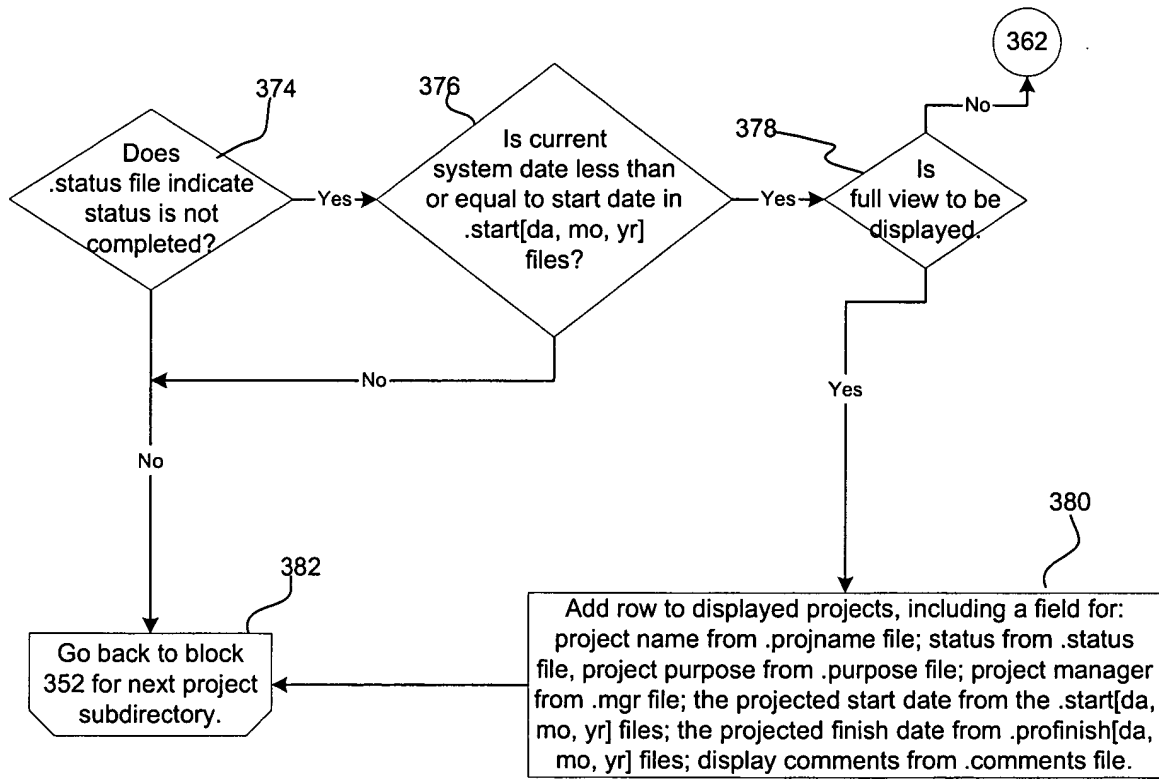


FIG. 8b

FIG. 9

12e

Completed Projects

Project	Status	Comments
Project 1 <a href="#">Edit</a> <a href="#">Calendar Status</a>	Completed <a href="#">Details</a>	Comments for test project 1. <hr/> Project Purpose: Design software <hr/> Project Manager: Joe Smith Date Started: 03/01/1999 Date Finished: 05/03/2000
Project 2 <a href="#">Edit</a> <a href="#">Calendar Status</a> <a href="#">Details</a>	Completed <a href="#">Details</a>	Comments for test project 2. <hr/> Project Purpose: Design software <hr/> Project Manager: Joe Jones Date Started: 05/01/2000 Date Finished: 04/03/2001

388

384

386

FIG. 9

FIG. 10

12f

Details View

Task Project Status

Task Area (Click on Task Name to Edit)	Task On Time	% Done	Bugs Filed	Comments
Entrance Criteria Met	On schedule	33	3	On time, bob is handling
Systems and Hardware setup	behind schedule	5	1	Late start
Fault Injection testing	Not started	0	0	0

FOOT 636460

12g

FIG. 11

Details View

Task Project Status

410 412 414 416

Task Area (Click on Task Name to Edit)	Task On Time	% Done Subtask 1			% Done Subtask 2			Bugs Piled	Comments
		A	B	C	1	2	3		
Entrance Criteria Met	On schedule	35	35	0	0	16	2	3	On time, bob is handling
Systems and Hardware setup	behind schedule	5	5	5	26	45	0	1	Late start
Fault Injection testing	Not started	0	0	0	0	0	0	0	0

FOOT" 682660

FIG. 12

12h

Statistics/Metric Information

Statistics/Metrics

Project	Start Date Finish Date	Days project was interrupted	Days project was active	Number of Holidays while project was active	Days interrupted due to setup	Days interrupted due to management hold	Percent Completed
1	05/01/2001 ??	8	43	3	2	4	20
2	06/02/2000 07/02/2000	3	31	2	1	0	34
5	08/03/2001 ??	0	12	0	0	0	12

FOOT" 6364660

FIG. 13

12i

Calendar Status of Project

Project Calendar for August

Sunday	Monday	Tuesday	Wednesday	Thursday	Friday	Saturday
		01 One day interrupt for vacation day.	02	03	04	05
06	07	08	9 Added interrupt for power delay	10	11	12

440

FOOT" 63E460